

T-HANDLE HEX KEYS



Description :

- ISO 2936 - DIN 911
- Ergonomic T-handle allows effective use of either end of wrench.
- Silicon steel.
- Finish: black phosphate.

B [mm] :

10

C [mm] :

52

L1 [mm] :

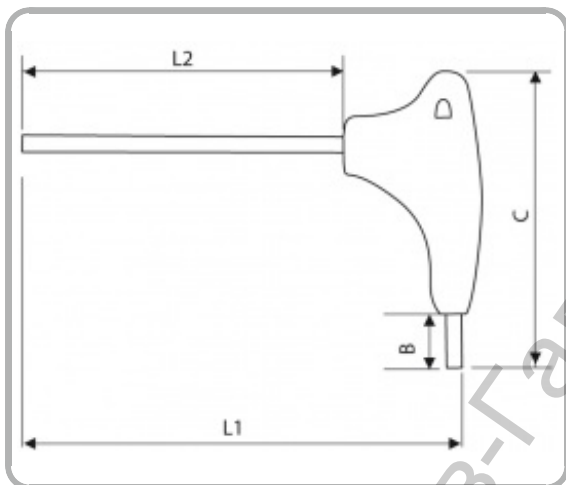
127

L2 [mm] :

100

Conditioning :

5



References :

EXPERT	EAN	A [mm]	[g]
<u>E113977</u>	3258951139776	2,5	20
<u>E113978</u>	3258951139783	3	21
<u>E113979</u>	3258951139790	4	47
<u>E113980</u>	3258951139806	5	60
<u>E113981</u>	3258951139813	6	112
<u>E113982</u>	3258951139820	8	165
<u>E113983</u>	3258951139837	10	233
<u>E121204</u>	3258951212042	2	18

Ташев-Галвинг ООД
www.tashev-galving.com